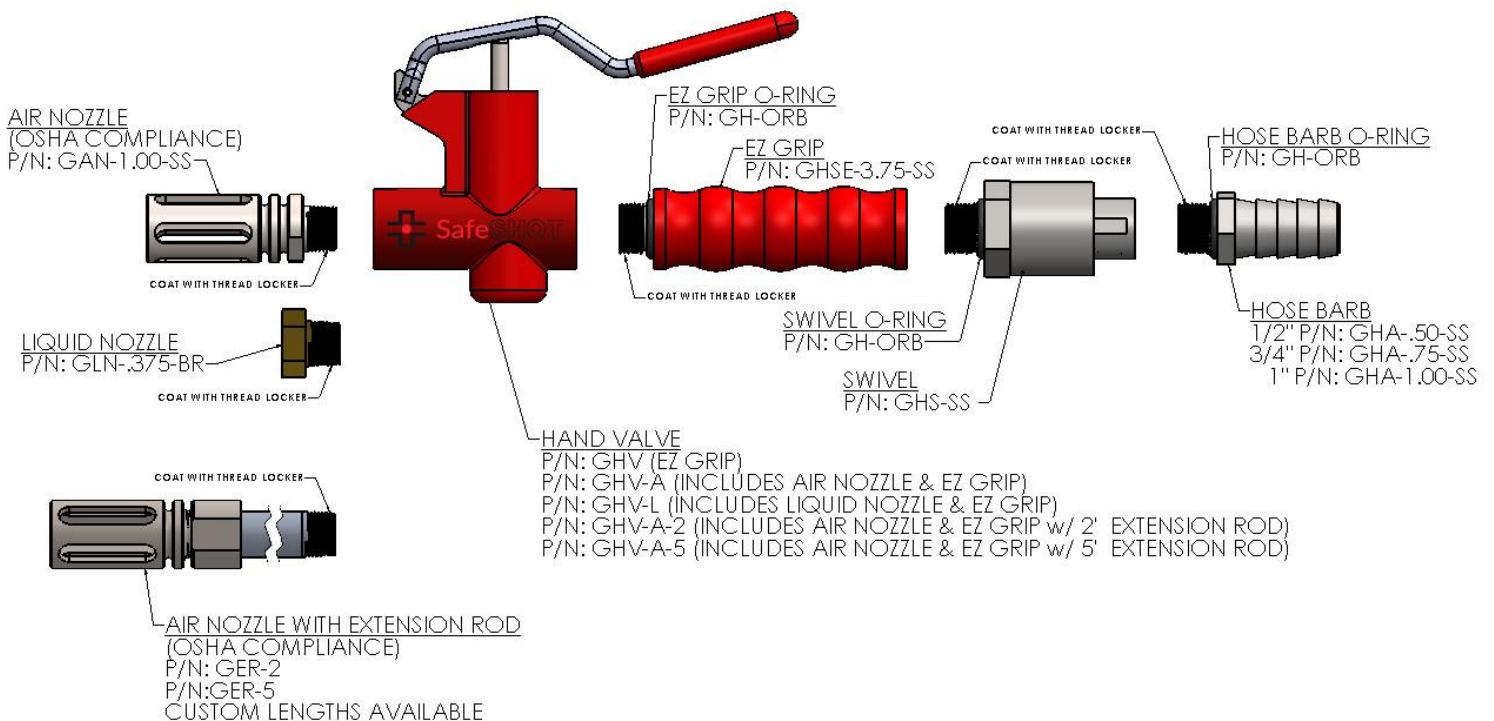


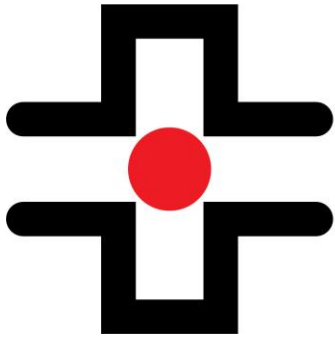
SafeSHOT

Installation, Operation, and Maintenance Instructions

I. INSTALLATION

1. Recommended to apply a permanent thread locking compound suitable for 300 series stainless steel to all male threads. See diagram below.
2. Ensure that there are no obstructions in the side ports of the air nozzle. This is necessary for OSHA compliance.
3. Once everything is connected and tightened, push the hose on the hose barb and connect with hose clamp.





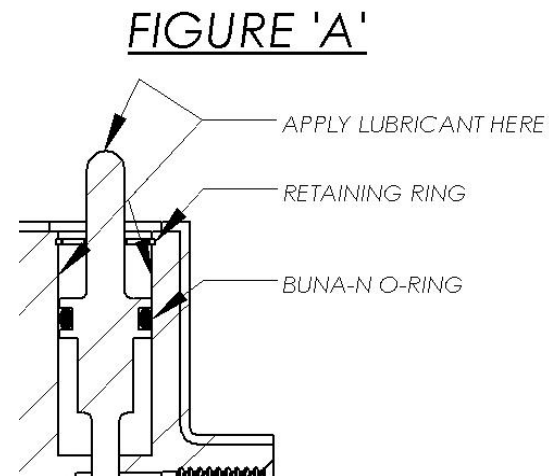
SafeSHOT

II. OPERATION

1. With the Safeshot hand valve in your hand, press the handle down to allow flow through the valve. **MAX OPERATING PRESSURE 150 PSIG**
2. To stop flow, release the lever.

III. MAINTENANCE

The Safeshot hand valve needs to be lubricated on a regular basis to minimize wear and increase longevity of the valve. The frequency will vary depending on the operating conditions. See figure A.



LIMITED WARRANTY:

Bertrem Valve Company, Inc. warrants each product against defects in material and workmanship for a period of one year from the date of original shipment. In the event of discovery of such defects within the warranty period, the Company will, at its option, replace or recondition the product without charge. This shall constitute the exclusive remedy for breach of warranty, and the Company shall not be responsible for any incidental or consequential damages, including, without limitation, damages or other costs resulting from labor charges, delays, vandalism, negligence, fouling caused by foreign material, damage from adverse water conditions, chemicals, or any other circumstances over which the Company has no control. This warranty shall be invalidated by any abuse, misuse, misapplication or improper installation of the product. THE COMPANY MAKES NO OTHER WARRANTIES EXPRESS OR IMPLIED EXCEPT AS PROVIDED IN THIS LIMITED WARRANTY.

BERTREM VALVE CO., INC.
Engineered Products for Process Control
SINCE 1985

6936 E. 13th St. • Tulsa, Oklahoma 74112
Phone 918-294-3960 • Fax 918-294-3969 • E-mail: sales@bertrem.com